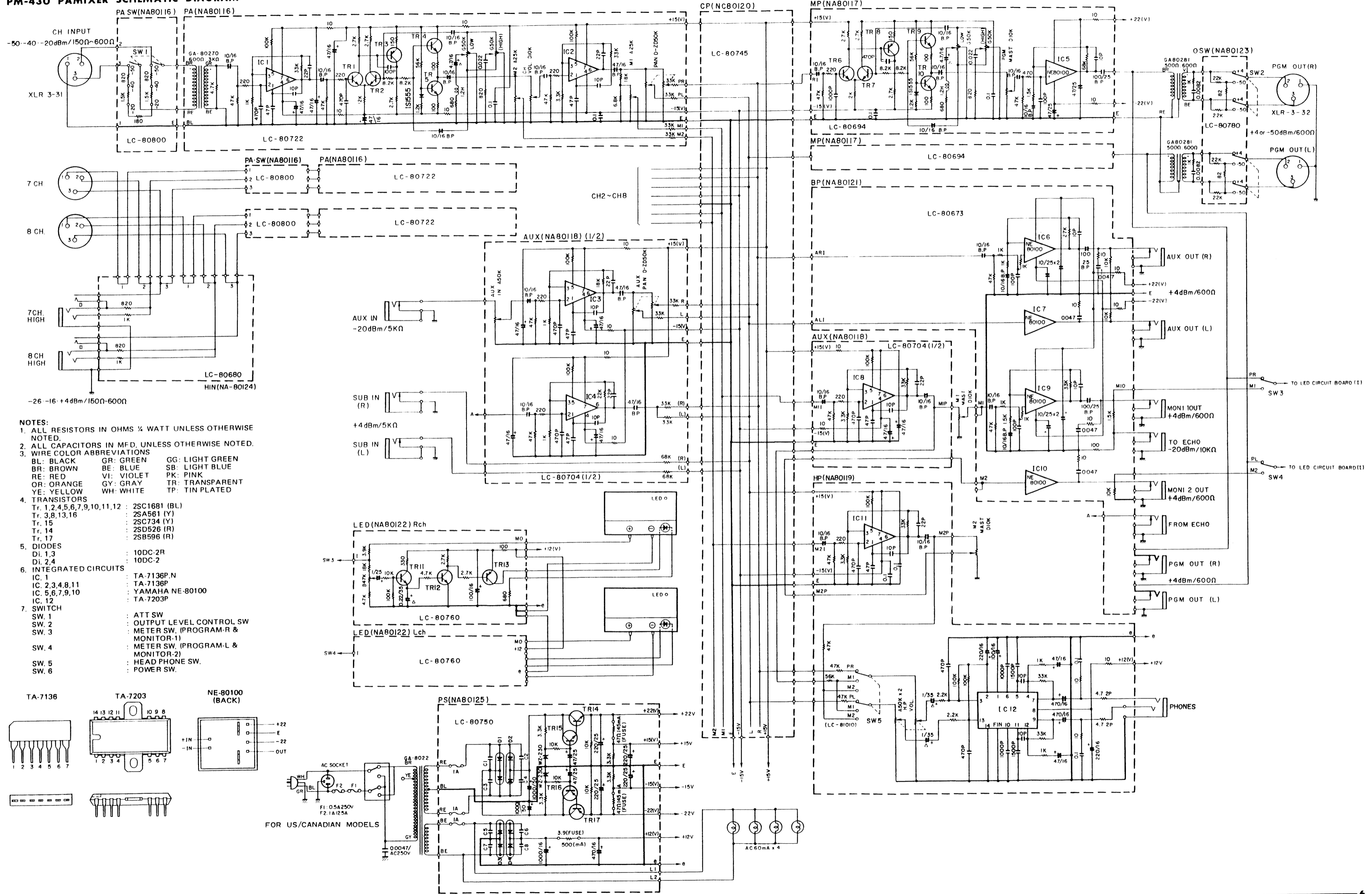
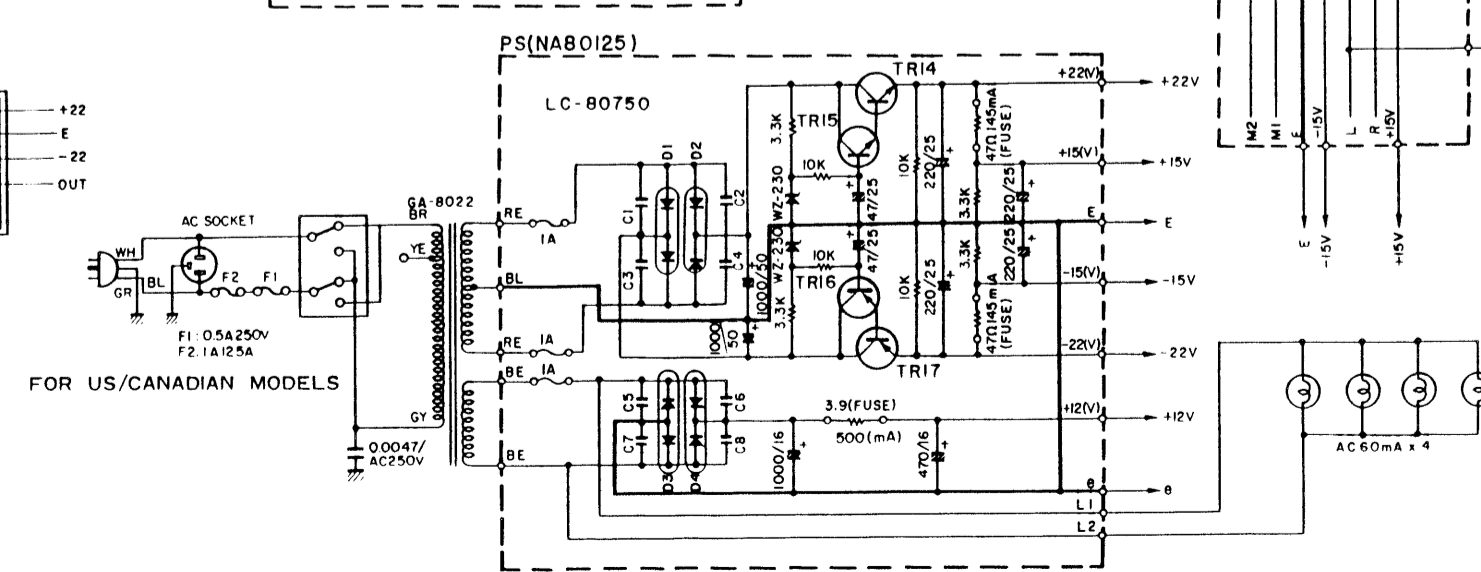
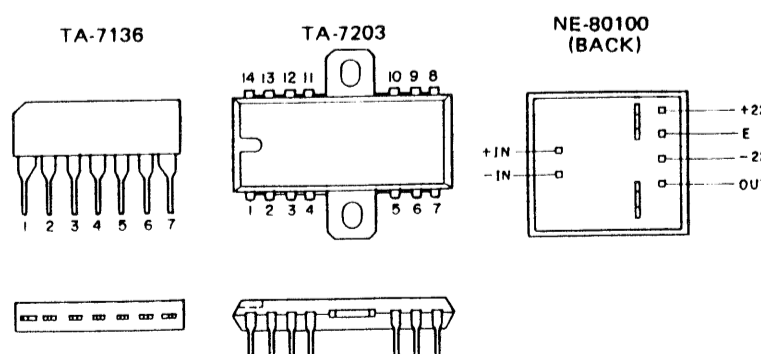


PM-430 PAMIXER SCHEMATIC DIAGRAM

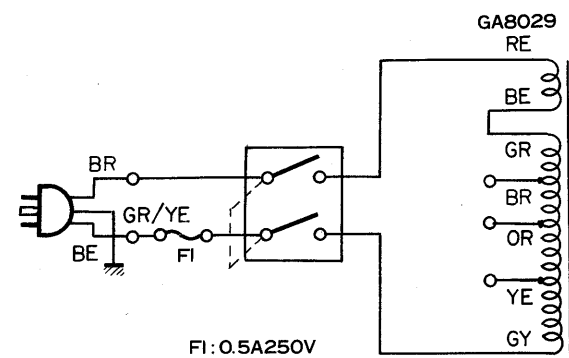


- NOTES:**
- ALL RESISTORS IN OHMS 1/2 WATT UNLESS OTHERWISE NOTED.
 - ALL CAPACITORS IN MFD. UNLESS OTHERWISE NOTED.
 - WIRE COLOR ABBREVIATIONS
 BL: BLACK GR: GREEN GG: LIGHT GREEN
 BR: BROWN BE: BLUE SB: LIGHT BLUE
 RE: RED VI: VIOLET PK: PINK
 OR: ORANGE GY: GRAY TR: TRANSPARENT
 YE: YELLOW WH: WHITE TP: TIN PLATED
 - TRANSISTORS
 Tr. 1,2,4,5,6,7,9,10,11,12 : 2SC1681 (BL)
 Tr. 3,8,13,16 : 2SA561 (Y)
 Tr. 15 : 2SC734 (Y)
 Tr. 14 : 2SD526 (R)
 Tr. 17 : 2SB596 (R)
 - DIODES
 Di. 1,3 : 10DC-2R
 Di. 2,4 : 10DC-2
 - INTEGRATED CIRCUITS
 IC. 1 : TA-7136P.N
 IC. 2,3,4,8,11 : TA-7136P
 IC. 5,6,7,9,10 : YAMAHA NE-80100
 IC. 12 : TA-7203P
 - SWITCH
 SW. 1 : ATT SW
 SW. 2 : OUTPUT LEVEL CONTROL SW
 SW. 3 : METER SW. (PROGRAM-R & MONITOR-1)
 SW. 4 : METER SW. (PROGRAM-L & MONITOR-2)
 SW. 5 : HEAD PHONE SW.
 SW. 6 : POWER SW.

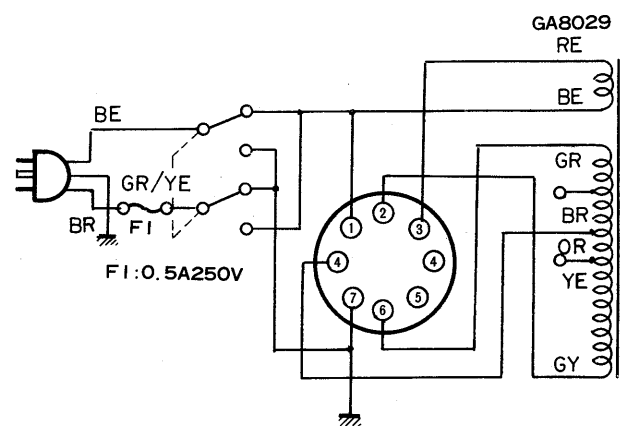


POWER CIRCUIT ARRANGEMENTS

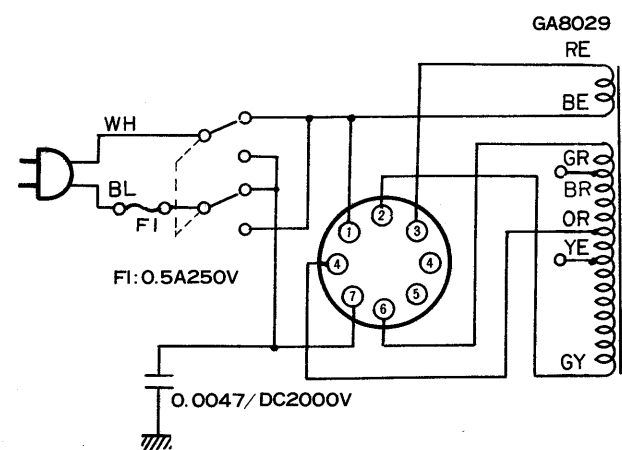
FOR AUSTRALIAN MODEL



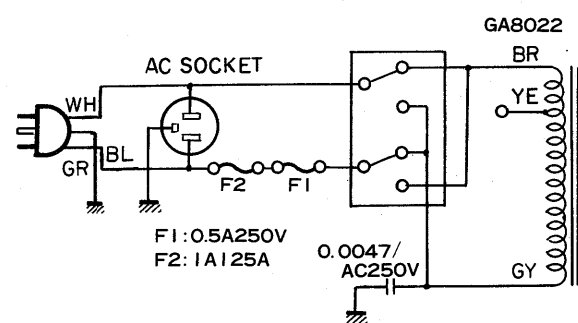
FOR SOUTH AFRICAN MODEL



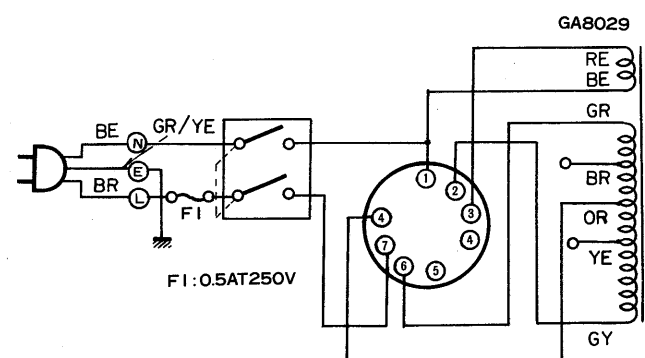
FOR GENERAL MODEL



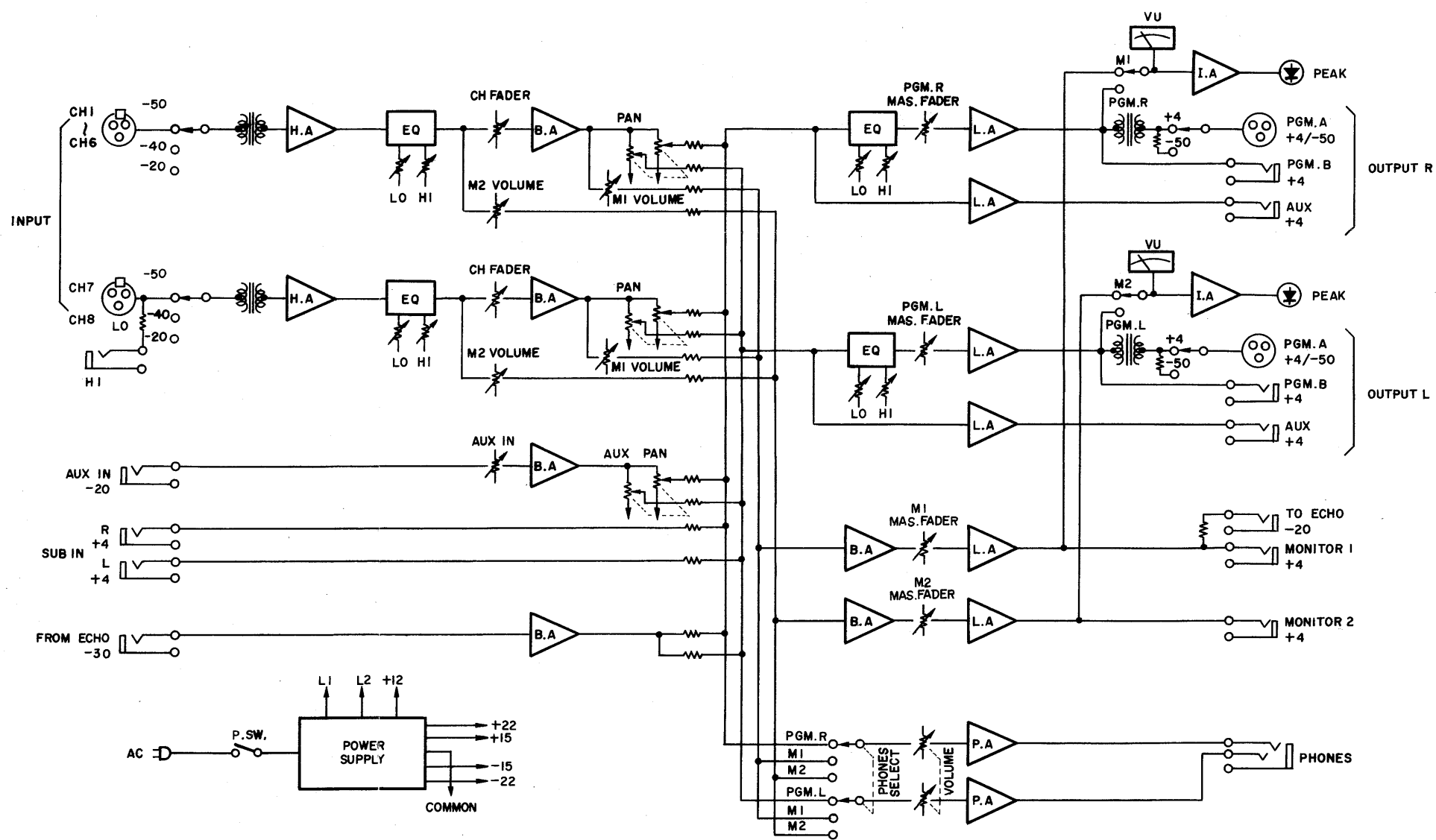
FOR US./CANADIAN MODELS



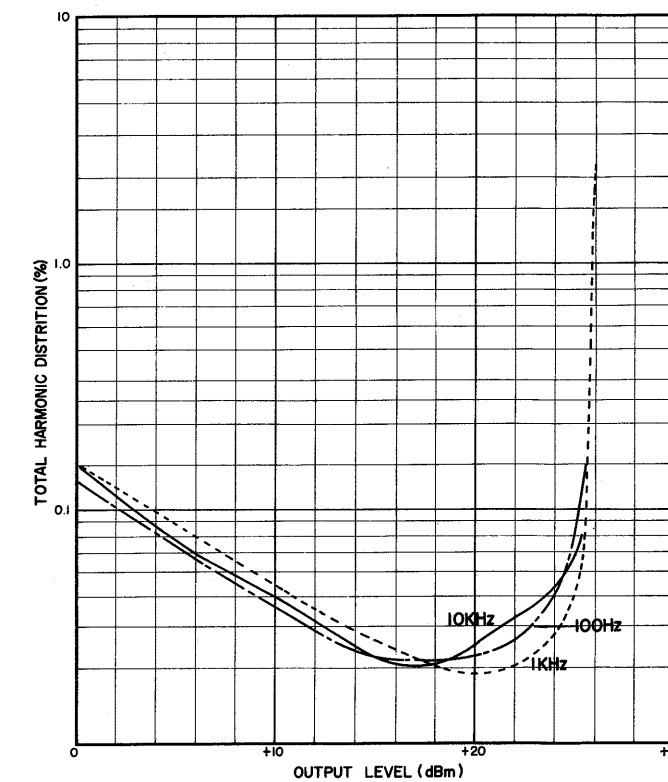
FOR BS/EUROPEAN MODELS



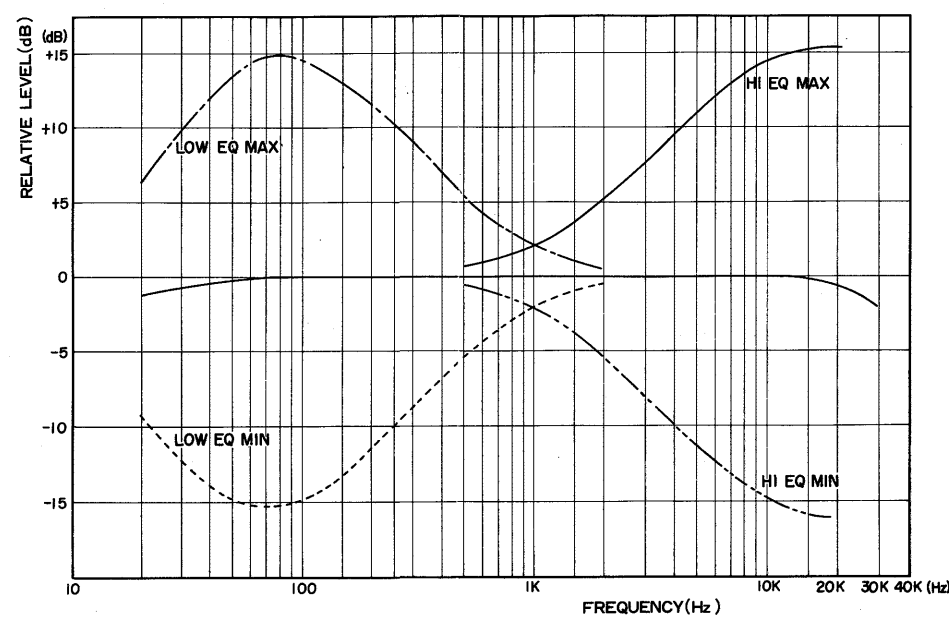
BLOCK DIAGRAM & LEVEL DIAGRAM



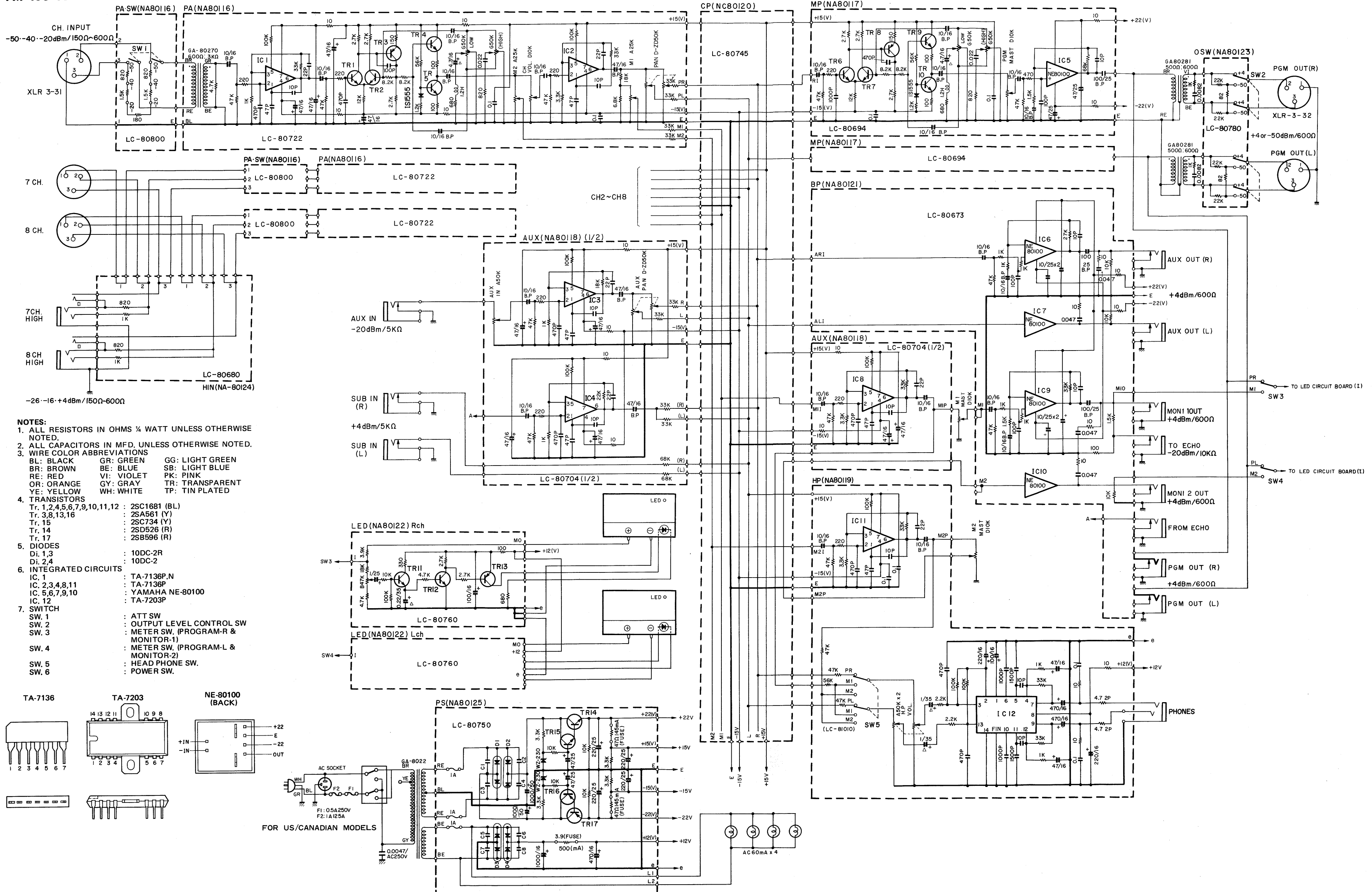
TOTAL HARMONIC DISTORTION



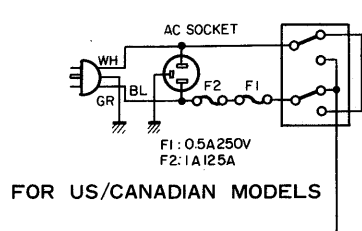
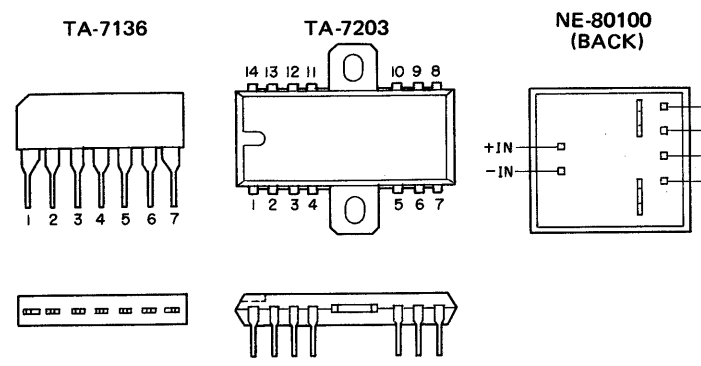
TYPICAL FREQUENCY RESPONSE



PM-430 PAMIXER SCHEMATIC DIAGRAM

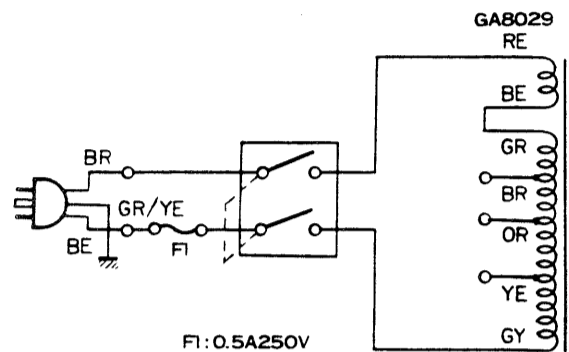


- NOTES:**
1. ALL RESISTORS IN OHMS 1/4 WATT UNLESS OTHERWISE NOTED.
 2. ALL CAPACITORS IN MFD. UNLESS OTHERWISE NOTED.
 3. WIRE COLOR ABBREVIATIONS
 BL: BLACK GR: GREEN GG: LIGHT GREEN
 BR: BROWN BE: BLUE SB: LIGHT BLUE
 RE: RED VI: VIOLET PK: PINK
 OR: ORANGE GY: GRAY TR: TRANSPARENT
 YE: YELLOW WH: WHITE TP: TIN PLATED
 4. TRANSISTORS
 Tr. 1,2,4,5,6,7,9,10,11,12 : 2SC1881 (BL)
 Tr. 3,8,13,16 : 2SA561 (Y)
 Tr. 15 : 2SC734 (Y)
 Tr. 14 : 2SD526 (R)
 Tr. 17 : 2SB596 (R)
 5. DIODES
 Di. 1,3 : 10DC-2R
 Di. 2,4 : 10DC-2
 6. INTEGRATED CIRCUITS
 IC. 1 : TA-7136P.N
 IC. 2,3,4,8,11 : TA-7136P
 IC. 5,6,7,9,10 : YAMAHA NE-80100
 IC. 12 : TA-7203P
 7. SWITCH
 SW. 1 : ATT SW
 SW. 2 : OUTPUT LEVEL CONTROL SW
 SW. 3 : METER SW. (PROGRAM-R & MONITOR-1)
 SW. 4 : METER SW. (PROGRAM-L & MONITOR-2)
 SW. 5 : HEAD PHONE SW.
 SW. 6 : POWER SW.

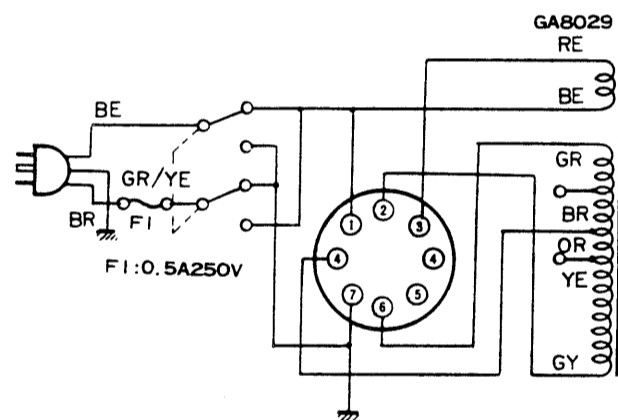


POWER CIRCUIT ARRANGEMENTS

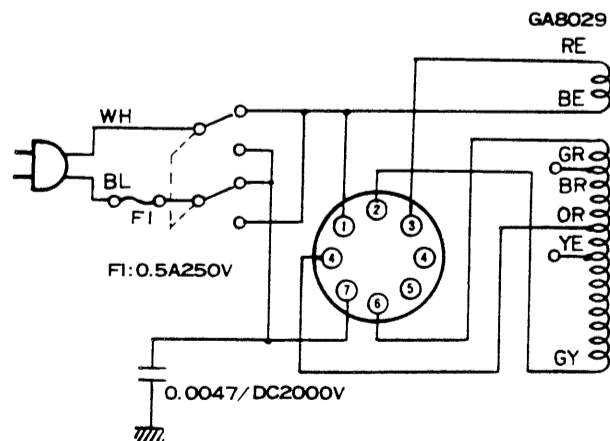
FOR AUSTRALIAN MODEL



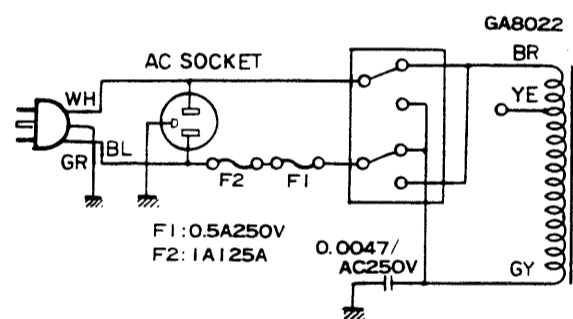
FOR SOUTH AFRICAN MODEL



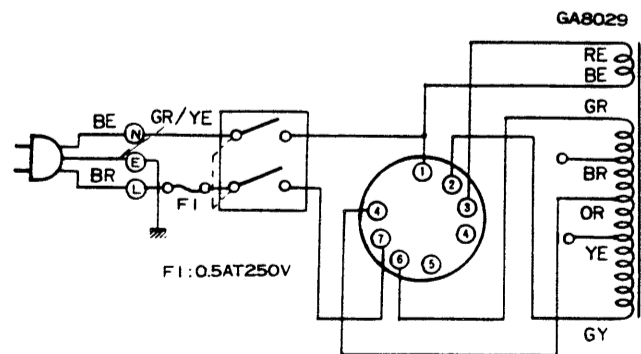
FOR GENERAL MODEL



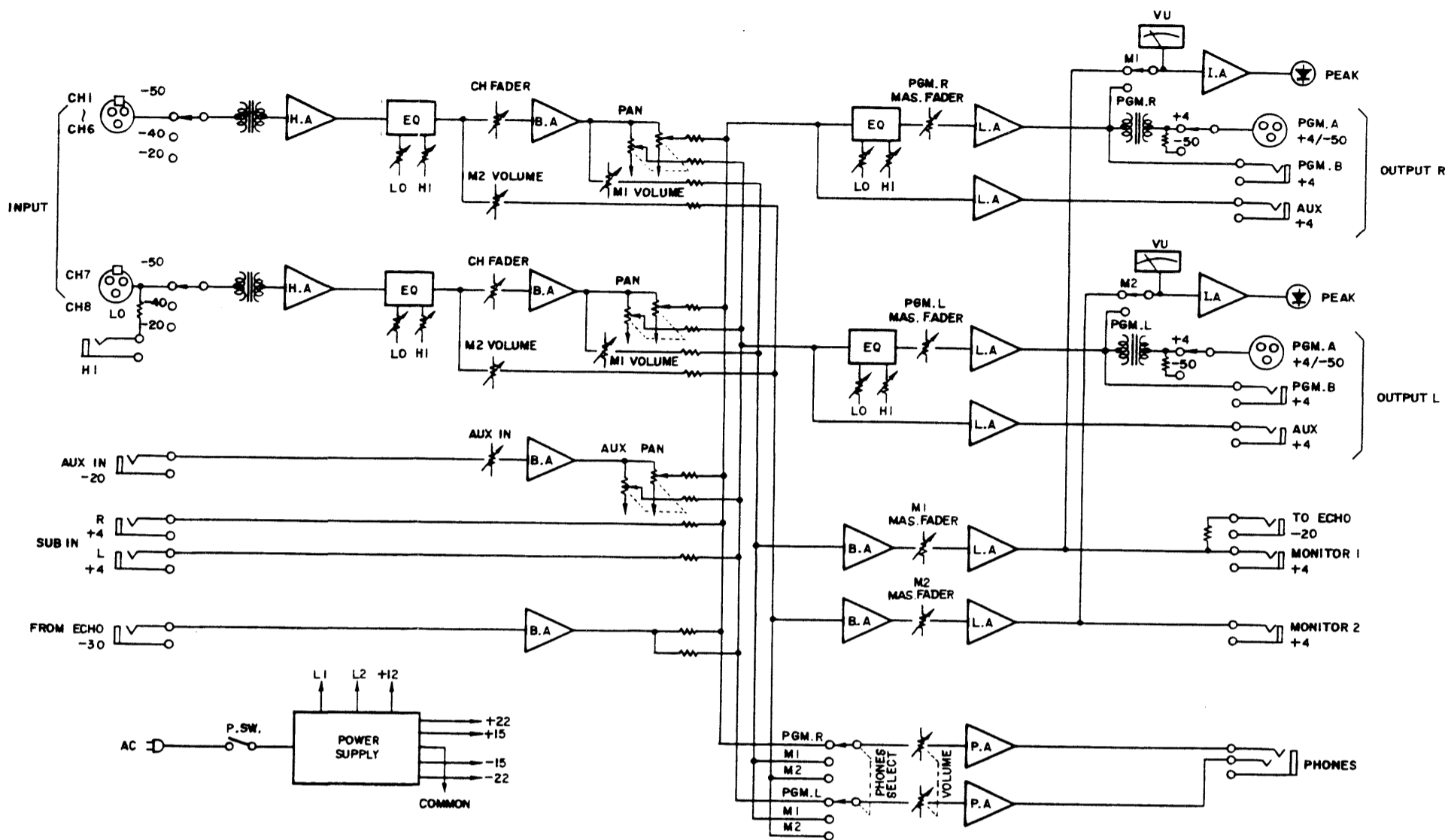
FOR US./CANADIAN MODELS



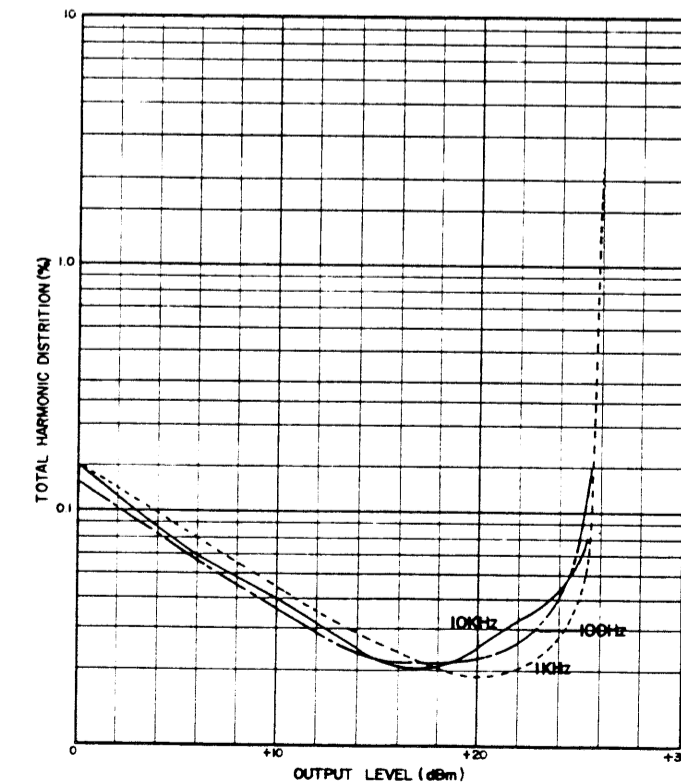
FOR BS/EUROPEAN MODELS



BLOCK DIAGRAM & LEVEL DIAGRAM



TOTAL HARMONIC DISTORTION



TYPICAL FREQUENCY RESPONSE

